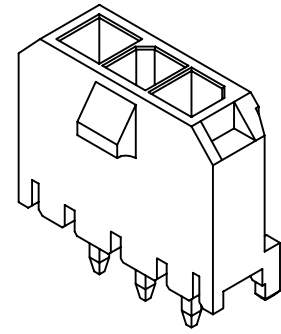
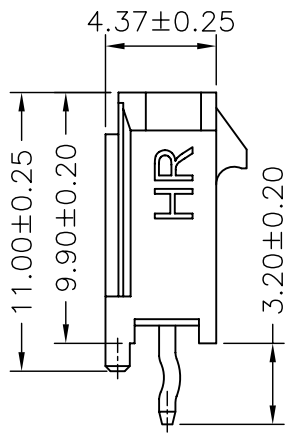
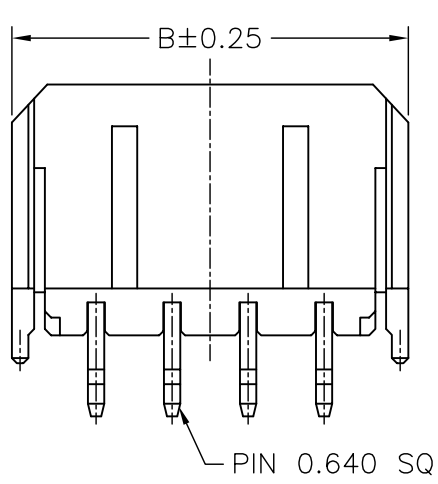


P.C.B LAYOUT



P/N LEGEND


C3030	WV	F	XP	R	P	X	T1	N	00	B
①	②	③	④	⑤	⑥	⑦	⑧	⑨	⑩	⑪

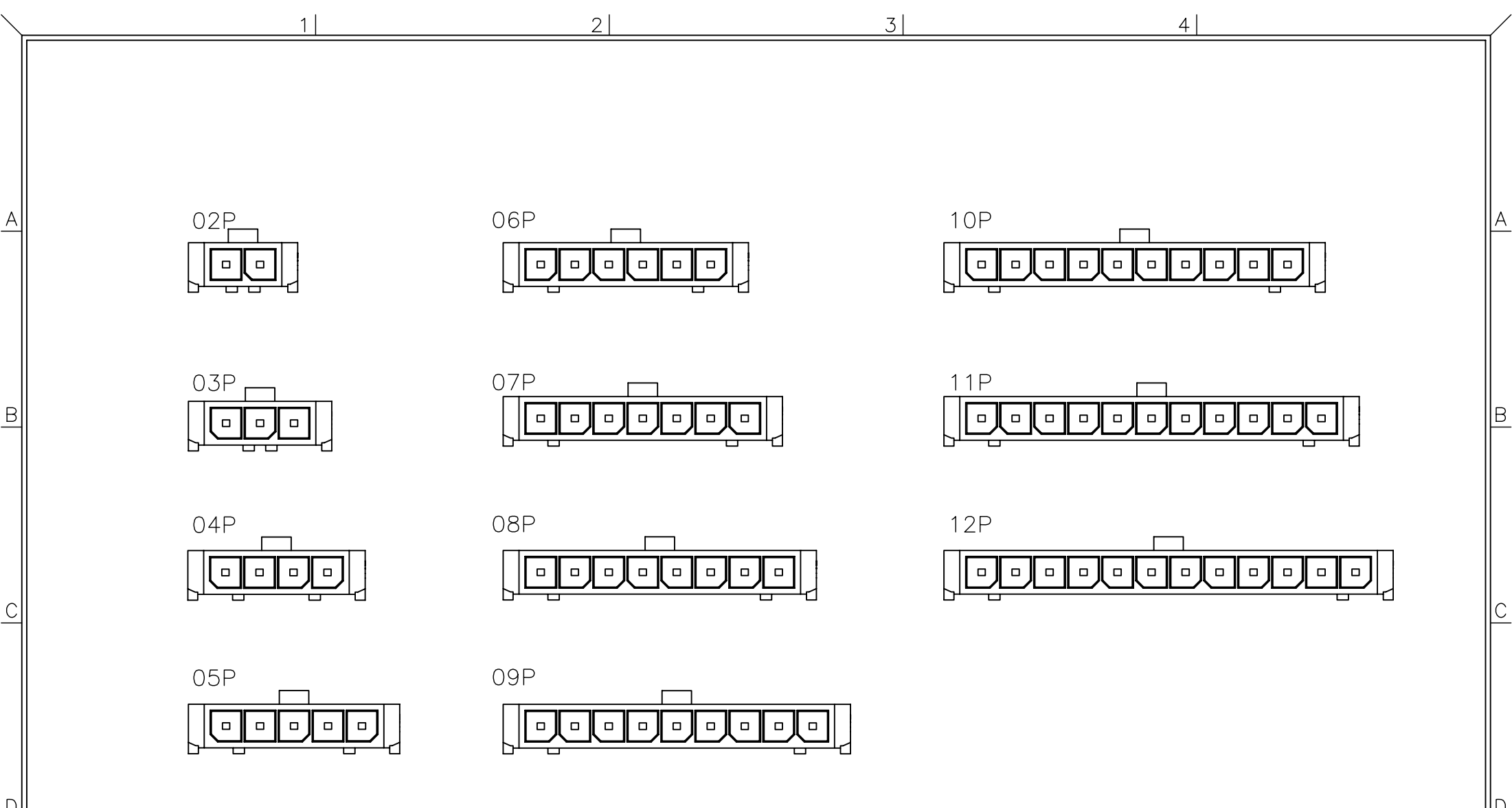
① Series No.
 ② Connector type: WV=Vertical
 ③ F=With boss or peg
 ④ No. of circuits
 ⑤ R=Rohs
 ⑥ Material: P=PBT
 ⑦ Color: W=White; R=Red
 ⑧ Plating code for contacts: T1=Tin-plated
 ⑨ Plating code: N=Non-plating
 ⑩ Option code:
 00=Standard
 ⑪ Packing code: B=Tray


SPECIFICATIONS

Current Rating: 5A AC,DC
 Voltage Rating: 250V AC,DC
 Temperature Range: -25°C ~ +85°C
 Contact Resistance: 10mΩ Max
 Insulation Resistance: 1000MΩ Min
 Withstanding Voltage: 1500V AC/minute
 Pin Material: Brass/Tin-plated
 Material: PBT15%GF,UL94V-0
 Color: White or Red

Circuit No.	Dimensions		Circuit No.	Dimensions	
	A	B		A	B
02P	3.00	9.65	10P	27.00	33.65
03P	6.00	12.65	11P	30.00	36.65
04P	9.00	15.65	12P	33.00	39.65
05P	12.00	18.65			
06P	15.00	21.65			
07P	18.00	24.65			
08P	21.00	27.65			
09P	24.00	30.65			

						燦達電子工業股份有限公司 JOINT TECH ELECTRONIC IND. CO., LTD.	
UNIT	SCALE	SHEET	TITLE:				
mm	1 : 1	1 of 2	3.00mm PITCH 180° WAFER, SINGLE ROW, MICRO-FIT				
DRAWN BY 劉包根 2012.05.15	APPROVED BY 董正一 2012.05.15						
GENERAL TOLERANCE			DRAW NO. : C3030WV-F-XPRXXXXXXXXX				
A1	EN1409020004	2014.09.02	郭木恩	X.X±0.25	ANGLE±	REV. A1	
A0	NEW RELEASE	2012.05.15	劉包根	X.XX±0.15			
REV.	DESCRIPTION	DATE	NAME	X.XXX±0.05			



				 燦達電子工業股份有限公司 JOINT TECH ELECTRONIC IND. CO., LTD.		
		UNIT	SCALE	SHEET		TITLE:
		mm	1 : 1	2 of 2		
		DRAWN BY		APPROVED BY		3.00mm PITCH 180° WAFER, SINGLE ROW, MICRO-FIT
		劉包根		董正一		
		2012.05.15		2012.05.15		
		GENERAL TOLERANCE				DRAW NO. : C3030WV-F-XPRXXXXXXXXX
		X. X±0.25	ANGLE±		REV. A1	
A1	EN1409020004	2014.09.02	郭木恩			
REV.	DESCRIPTION	DATE	NAME			