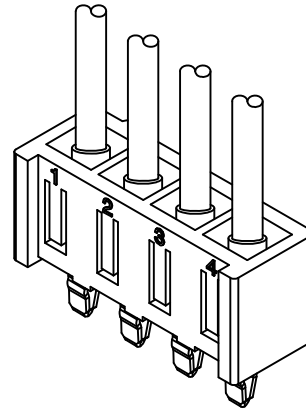
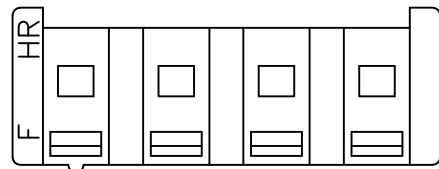
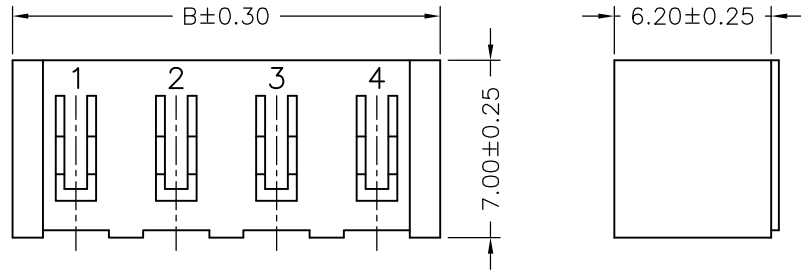


P.C.B. LAYOUT



Ordering code

B3965 HV-XP N 0 W NP N 00 G
 ① ② ③ ④ ⑤ ⑥ ⑦ ⑧ ⑨ ⑩

- ① Series No.
- ② Connector type: HV=Housing Vertical type
- ③ No. of circuits
- ④ N=Halogen Free
- ⑤ Material: 0=Nylon 66-V0
- ⑥ Color: W=White
- ⑦ Plating code: NP=Non-plating
- ⑧ Plating code: N=Non-plating
- ⑨ Option code: 00=Standard
- ⑩ Packing code: G=Bag

SPECIFICATIONS

Current Rating: 7A AC,DC
 Voltage Rating: 250V AC,DC
 Temperature Range: -25°C ~ +85°C
 Contact Resistance: 10mΩ Max.
 Insulation Resistance: 1000MΩ Min.
 Withstanding Voltage: 1500V AC/minute
 Material: Nylon 66,UL94V-0
 Color: Natural(White)

Circuit No.	Dimensions		Circuit No.	Dimensions	
	A	B		A	B
02P	3.96	8.96	09P	31.68	36.68
03P	7.92	12.92	10P	35.64	40.64
04P	11.88	16.88	11P	39.60	44.60
05P	15.84	20.84	12P	43.56	48.56
06P	19.80	24.80	13P	47.52	52.52
07P	23.76	28.76	14P	51.48	56.48
08P	27.72	32.72	15P	55.44	60.44



燦達電子工業股份有限公司
 JOINT TECH ELECTRONIC IND. CO., LTD.

UNIT: mm SCALE: SHEET: 1 of 1

DRAWN BY: 歐陽小強
 2008.10.15
 APPROVED BY: 謝瑞清
 2008.10.15

GENERAL TOLERANCE

A1: X.X±0.25
 A0: X.XX±0.15
 REV.: X.XXX±0.05

TITLE:
 3.96mm PITCH
 180° HOUSING,
 WITHOUT POLARIZING BOSS
 DRAW NO.: B3965HV-XPNXXXXXXXXX REV. A1