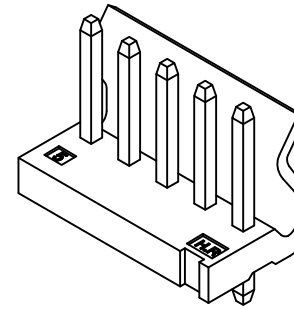
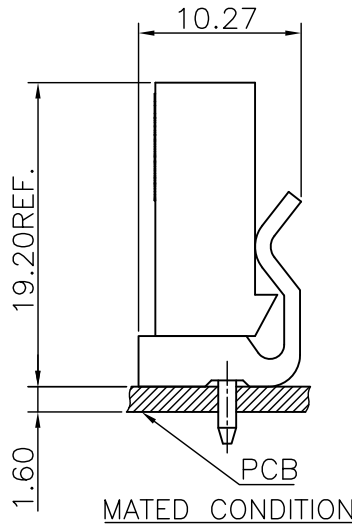
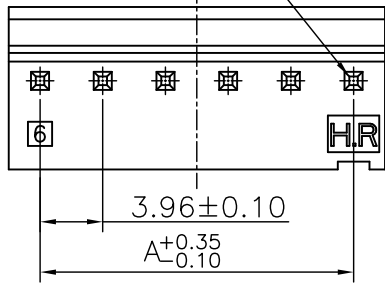




Circuit 1



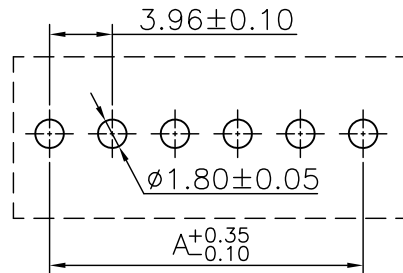
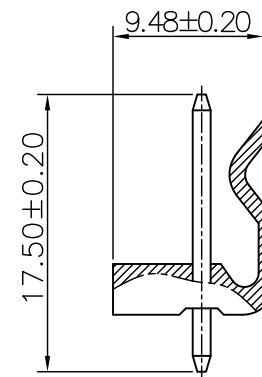
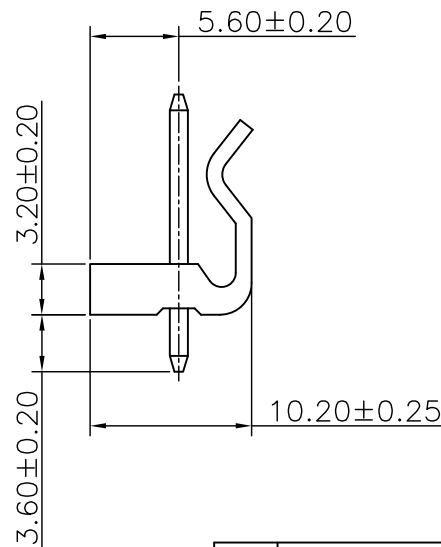
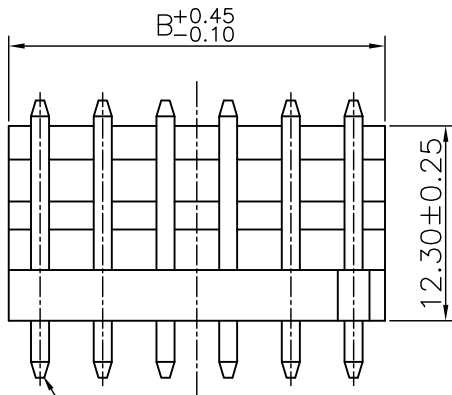
P/N LEGEND

A3960	WV	XP	N	X	X	T1	N	00	G
①	②	③	④	⑤	⑥	⑦	⑧	⑨	⑩

① Series No.
 ② Connector type: WV=Vertical
 ③ No. of circuits
 ④ N=Halogen Free
 ⑤ Material: 0=Nylon 66-V0; 2=Nylon 66-V2
 ⑥ Color: W=White; N=N=Natural
 ⑦ Plating code: T1=Tin-plated/Matte Tin-plated
 ⑧ Plating code: N=Non-plating
 ⑨ Option code: 00=Standard
 ⑩ Packing code: G=Bag

SPECIFICATIONS

Current Rating: 7A AC,DC
 Voltage Rating: 250V AC,DC
 Temperature Range: -25°C ~ +85°C
 Contact Resistance: 10mΩ Max
 Insulation Resistance: 1000MΩ Min
 Withstanding Voltage: 1500V AC/minute
 Pin Material: Brass/Tin-plated
 Material: Nylon 66,UL94V-0
 Color: White



P.C.B LAYOUT

Circuit No.	Dimensions		Circuit No.	Dimensions	
	A	B		A	B
02P	3.96	7.92	12P	43.56	47.52
03P	7.92	11.88	13P	47.52	51.48
04P	11.88	15.84	14P	51.48	55.44
05P	15.84	19.80	15P	55.44	59.40
06P	19.80	23.76	16P	59.40	63.36
07P	23.76	27.72	17P	63.36	67.32
08P	27.72	31.68	18P	67.32	71.28
09P	31.68	35.64	19P	71.28	75.24
10P	35.64	39.60	20P	75.24	79.20
11P	39.60	43.56			

				燦達電子工業股份有限公司 JOINT TECH ELECTRONIC IND. CO., LTD.	
UNIT		SCALE	SHEET		TITLE:
mm		1 : 1	1 of 1		
DRAWN BY		APPROVED BY		3.96mm PITCH 180° WAFER	
歐陽小強		謝瑞清			
2008.09.22		2008.09.22			
GENERAL TOLERANCE					
A1	EN111140491	2011.11.14	謝金發	X. X±0.25	ANGLE±
A0	NEW RELEASE	2008.09.22	歐陽小強	X. XX±0.15	
REV.	DESCRIPTION	DATE	NAME	X. XXX±0.05	
				DRAW NO. : A3960WV-XPXXXXXXX	
				REV. A1	