



P/N LEGEND

A3960	WRA	-XP	N	X	X	T1	N	00	G
①	②	③	④	⑤	⑥	⑦	⑧	⑨	⑩

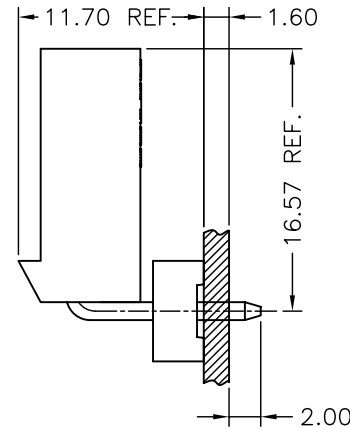
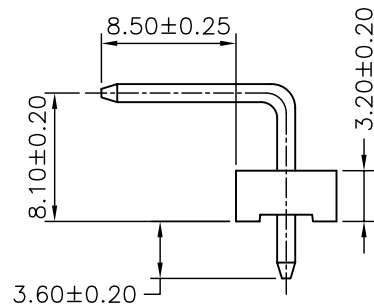
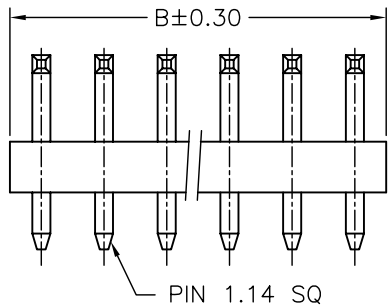
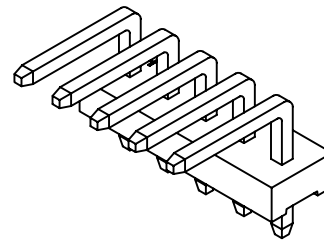
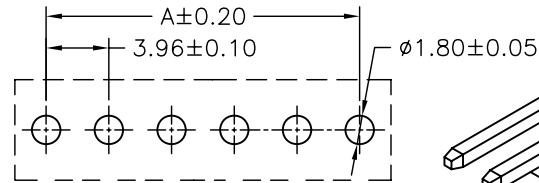
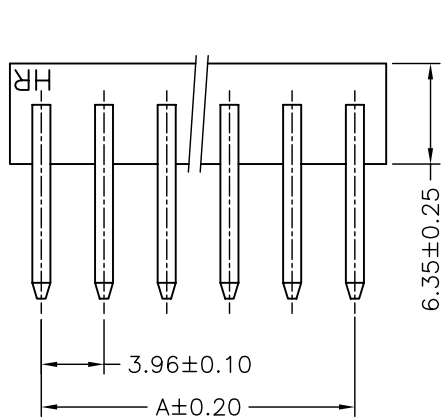
① Series No.  
 ② Connector type: WRA=Right angle A Type  
 ③ No. of circuits  
 ④ N=Halogen Free  
 ⑤ Material: 0=Nylon 66-V0; 2=Nylon 66-V2  
 ⑥ Color: W=White; N=Natural(Translucent)  
 ⑦ Plating code: T1=Tin-plated  
 ⑧ Plating code: N=Non-plating  
 ⑨ Option code: 00=Standard  
 ⑩ Packing code: G=Bag

SPECIFICATIONS

Current Rating: 7A AC,DC  
 Voltage Rating: 250V AC,DC  
 Temperature Range: -25°C ~ +85°C  
 Contact Resistance: 10mΩ Max  
 Insulation Resistance: 1000MΩ Min  
 Withstanding Voltage: 1500V AC/minute  
 Pin Material: Brass

Circuit No.	Dimensions		Circuit No.	Dimensions	
	A	B		A	B
02P	3.96	7.92	12P	43.56	47.52
03P	7.92	11.88	13P	47.52	51.48
04P	11.88	15.84	14P	51.48	55.44
05P	15.84	19.80	15P	55.44	59.40
06P	19.80	23.76	16P	59.40	63.36
07P	23.76	27.72	17P	63.36	67.32
08P	27.72	31.68	18P	67.32	71.28
09P	31.68	35.64	19P	71.28	75.24
10P	35.64	39.60	20P	75.24	79.20
11P	39.60	43.56			

P.C.B LAYOUT



燦達電子工業股份有限公司  
 JOINT TECH ELECTRONIC IND. CO., LTD.

UNIT	SCALE	SHEET
mm	1 : 1	1 of 1
DRAWN BY	APPROVED BY	
郭木思	張子波	
2013. 11. 12	2013. 11. 12	
GENERAL TOLERANCE		
X. X±0. 25	ANGLE±	
X. XX±0. 15		
X. XXX±0. 05		

TITLE:	
3.96mm PITCH 90° WAFER	
DRAW NO. :	REV. A0
A3960WRA-XPXXXXXXXXX	

A0	NEW RELEASE	2013. 11. 12	郭木思
REV.	DESCRIPTION	DATE	NAME