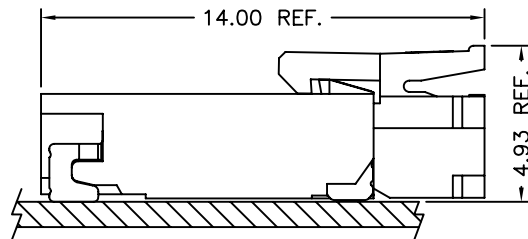


P.C.B LAYOUT



MATED CONDITION

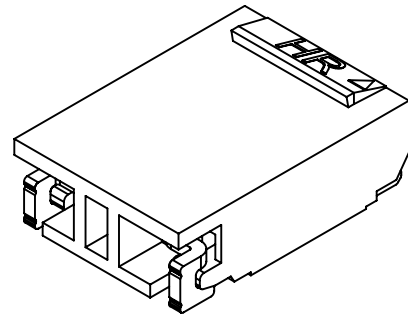
P/N LEGEND

A3501	WR-S	02P	N	6	B	G1	G	00	R
①	②	③	④	⑤	⑥	⑦	⑧	⑨	⑩

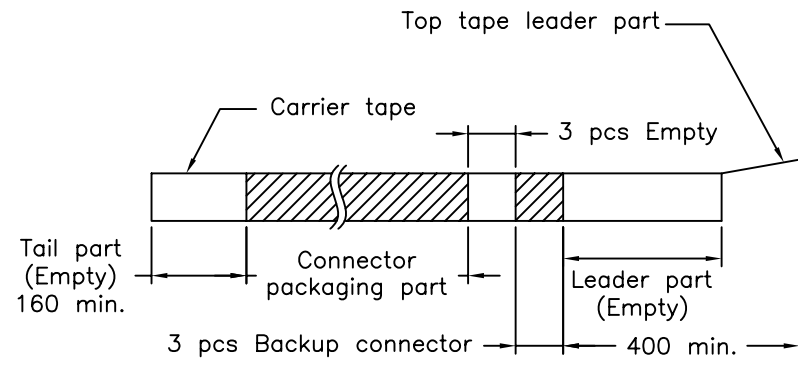
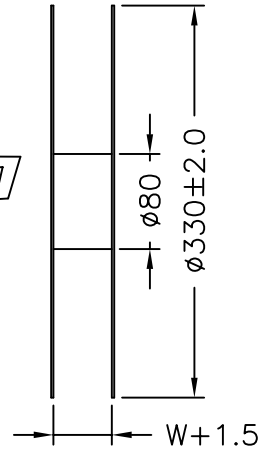
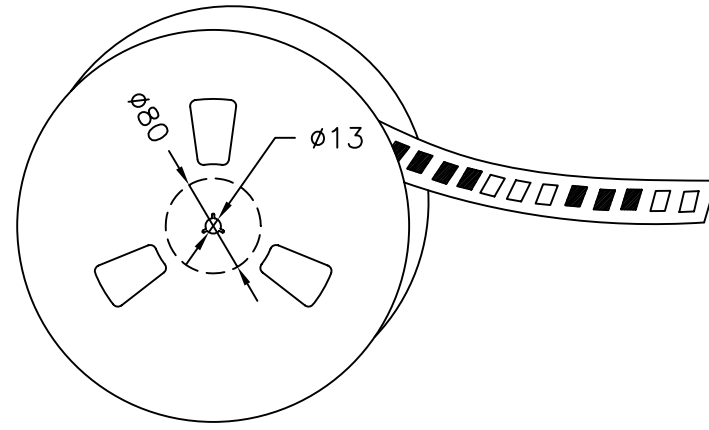
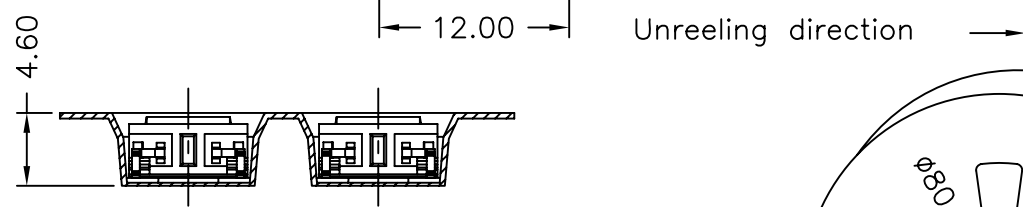
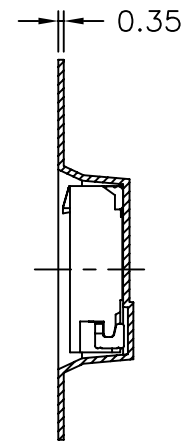
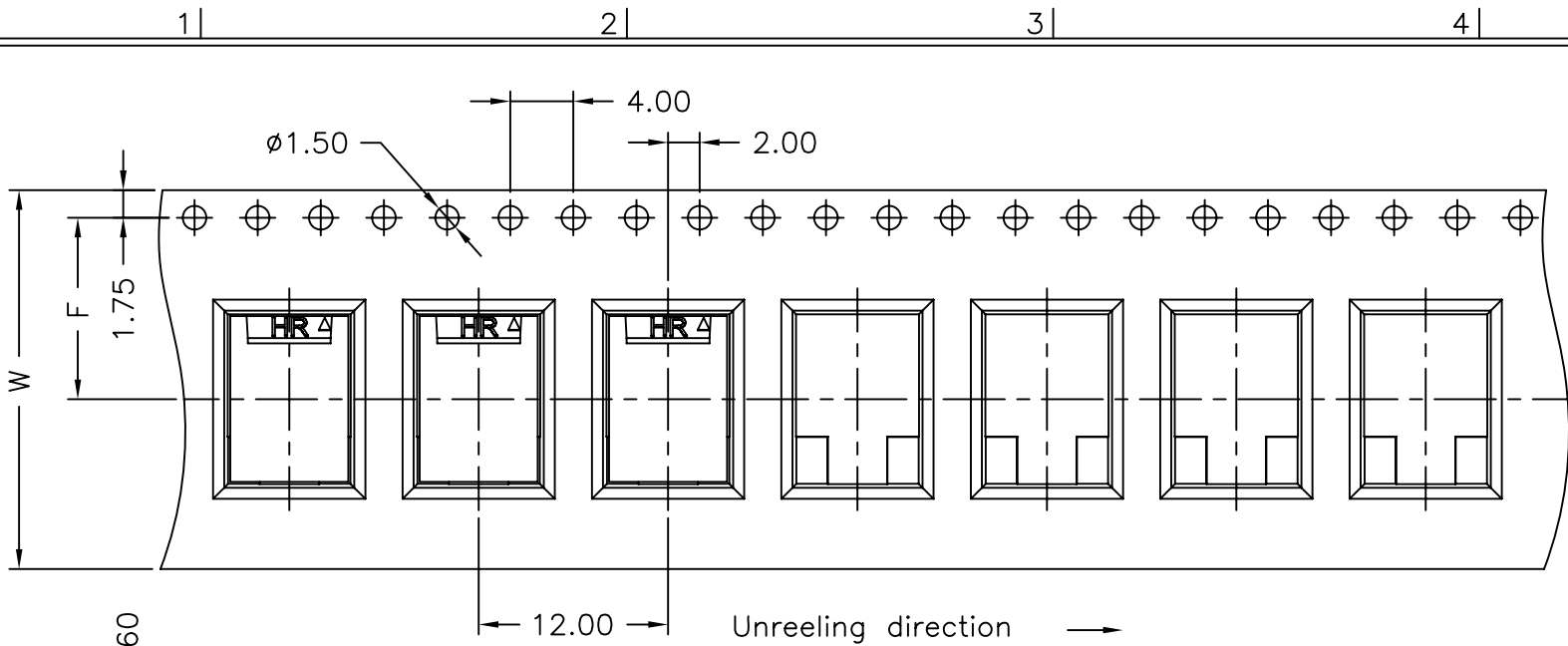
① Series No.
 ② Connector type: WR=Right angle
 ③ Mounting type: S=SMT
 ④ No. of circuits
 ⑤ N=Halogen Free
 ⑥ Material: 6=Nylon 6T
 ⑦ Color: B=Black
 ⑧ Plating code for contacts: G1=Gold-flash
 ⑨ Plating code for solder tabs: G=Gold-flash
 ⑩ Option code: 00=Standard
 ⑪ Packing code:
 R=Tape & Reel(Without Cap or Mylar)

SPECIFICATIONS

Current Rating: 1A AC,DC
 Voltage Rating: 1400V AC,DC
 Temperature Range: -25°C ~ +85°C
 Contact Resistance: 10mΩ Max
 Insulation Resistance: 1000MΩ Min
 Withstanding Voltage: 3800V AC/minute
 Pin Material: Brass/Gold-flash
 Solder Tabs: Brass/Gold-flash
 Material: Nylon 6T,UL94V-0
 Color: Natural(Black)



				燦達電子工業股份有限公司 JOINT TECH ELECTRONIC IND. CO., LTD.				
UNIT		SCALE		SHEET		TITLE:		
mm		1 : 1		1 of 2		P/N: A3501WR-S-02PD01		
DRAWN BY		APPROVED BY				3.50mm PITCH 90° WAFER-		
陳敏		董正一				SMT TYPE WITH LOCK,		
2011.08.18		2011.08.18				ULTRA LOW PROFILE		
GENERAL TOLERANCE								
X. X±0.25		ANGLE±				DRAW NO.:		
X. XX±0.15						A3501WR-S-02PNXXXXXXX		
X. XXX±0.05						REV.		
A0	NEW RELEASE	2011.08.18	陳敏					A0
REV.	DESCRIPTION	DATE	NAME					



Number of Contacts	W±0.3	F±0.1	S±0.1	Q'ty/Reel
02P	24	11.50		1,000

REV.	DESCRIPTION	DATE	NAME
A0	NEW RELEASE	2011.08.18	陳敏

UNIT	SCALE	SHEET
mm	1 : 1	2 of 2
DRAWN BY		APPROVED BY
陳敏		董正一
2011.08.18		2011.08.18
GENERAL TOLERANCE		
X. X±0.25	ANGLE±	
X. XX±0.15		
X. XXX±0.05		


燦達電子工業股份有限公司
JOINT TECH ELECTRONIC IND. CO., LTD.
 TITLE:
3.50mm PITCH 90° WAFER-SMT TYPE WITH LOCK, TAPING SPEC.
 DRAW NO.: A3501WR-S-02PNXXXXXXX REV. A0

1 | 2 | 3 | 4 |

A

A

B

B

C

C

D

D

1 | 2 | 3 | 4 |