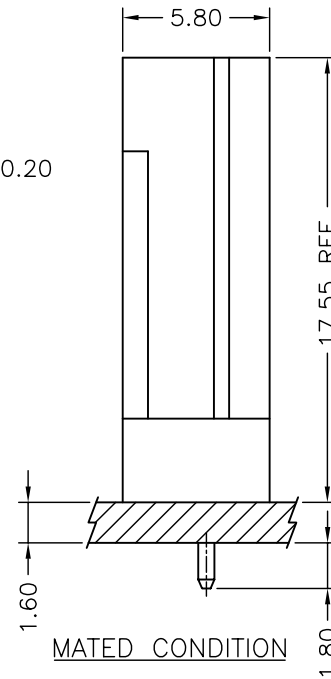
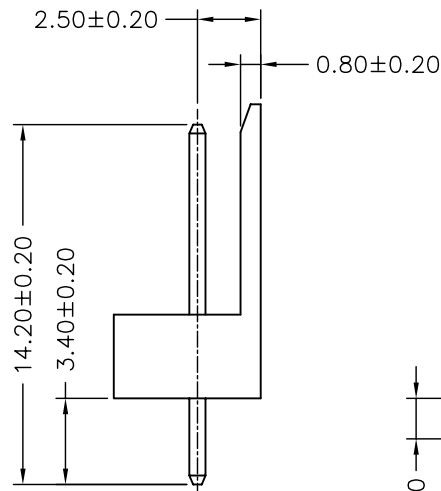
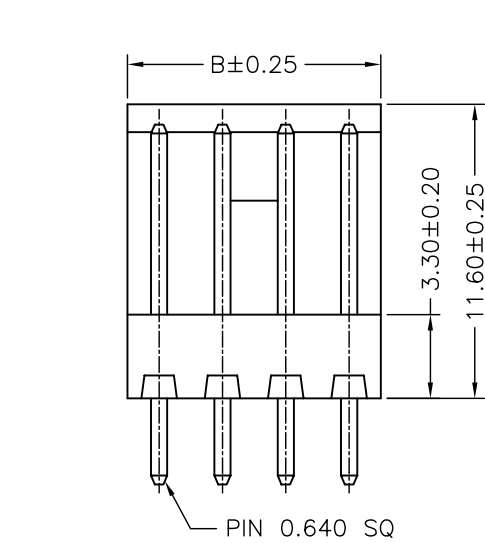


P/N LEGEND

A2540		WV-XP		N 0 W T1 N 00 G	
①	②	③	④	⑤	⑥
① Series No.					
② Connector type: WV=Vertical					
③ No. of circuits					
④ N=Halogen Free					
⑤ Material: 0=Nylon 66-V0					
⑥ Color: W=White					
⑦ Plating code for contacts: T1=Tin-plated					
⑧ Plating code: N=Non-plating					
⑨ Option code: 00=Standard					
⑩ Packing code: G=Bag					



SPECIFICATIONS

Current Rating: 3A AC,DC
 Voltage Rating: 250V AC,DC
 Temperature Range: -25°C ~ +85°C
 Contact Resistance: 10mΩ Max
 Insulation Resistance: 500MΩ Min
 Withstanding Voltage: 800V AC/minute
 Pin Material: Brass/Tin-plated
 Material: Nylon 66,UL94V-0
 Color: White

Circuit No.	Dimensions		Circuit No.	Dimensions	
	A	B		A	B
02P	2.50	5.00	09P	20.00	22.50
03P	5.00	7.50	10P	22.50	25.00
04P	7.50	10.00	11P	25.00	27.50
05P	10.00	12.50	12P	27.50	30.00
06P	12.50	15.00	13P	30.00	32.50
07P	15.00	17.50	14P	32.50	35.00
08P	17.50	20.00	15P	35.00	37.50

				燦達電子工業股份有限公司 JOINT TECH ELECTRONIC IND. CO., LTD.	
		UNIT	SCALE	SHEET	TITLE: 2.50mm PITCH 180° WAFER
		mm	1 : 1	1 of 1	
		DRAWN BY	APPROVED BY		
		周傑亮	謝瑞清		
		2017.02.07	2017.02.07		
GENERAL TOLERANCE					
		X. X±0.25	ANGLE±		DRAW NO. : A2540WV-XPNXXXXXXXXX
		X. XX±0.15			
		X. XXX±0.05			
A0	NEW RELEASE	2017.02.07	周傑亮		
REV.	DESCRIPTION	DATE	NAME		