

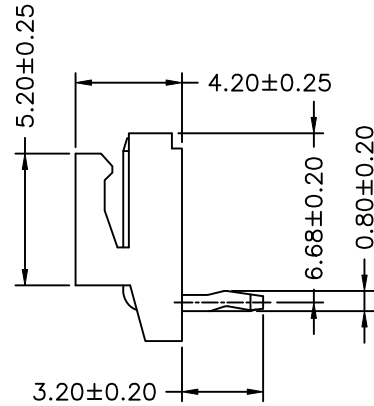
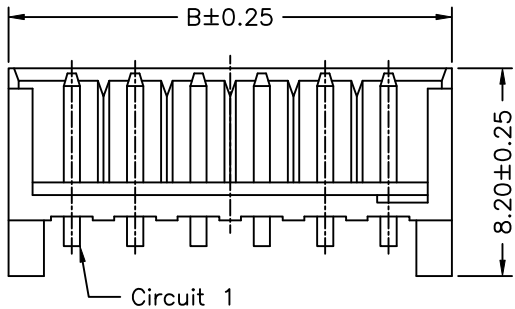
P/N LEGEND

A2502 WR-XP N 0 X T1 N XX G									
①	②	③	④	⑤	⑥	⑦	⑧	⑨	⑩
① Series No.	② Connector type: WR=Right angle	③ No. of circuits	④ N=Halogen Free	⑤ Material: 0=Nylon 66-V0	⑥ Color: W=White; B=Black	⑦ Plating code for contacts: T1=Tin-plated	⑧ Plating code: N=Non-plating	⑨ Option code: K0=TYPE 1; 00=TYPE 2	⑩ Packing code: G=Bag

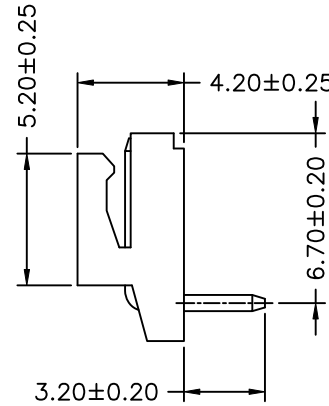
SPECIFICATIONS

Current Rating: 3A AC,DC
 Voltage Rating: 250V AC,DC
 Temperature Range: -25°C ~ +85°C
 Contact Resistance: 10mΩ Max
 Insulation Resistance: 1000MΩ Min
 Withstanding Voltage: 800V AC/minute
 Pin Material: Brass/Tin-plated
 Material: Nylon 66,UL94V-0
 Color: White

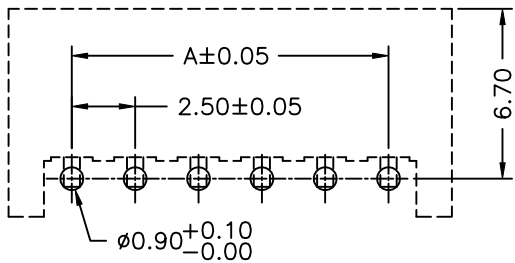
Circuit No.	Dimensions		Circuit No.	Dimensions	
	A	B		A	B
02P	2.50	7.50	09P	20.00	25.00
03P	5.00	10.00	10P	22.50	27.50
04P	7.50	12.50	11P	25.00	30.00
05P	10.00	15.00	12P	27.50	32.50
06P	12.50	17.50	13P	30.00	35.00
07P	15.00	20.00	14P	32.50	37.50
08P	17.50	22.50	15P	35.00	40.00



TYPE 1



TYPE 2



P.C.B LAYOUT

				燦達電子工業股份有限公司 JOINT TECH ELECTRONIC IND. CO., LTD.	
UNIT		SCALE	SHEET		TITLE:
mm		1 : 1	1 of 1		
DRAWN BY		APPROVED BY		2.50mm PITCH 90° WAFER	
陳敏		董正一			
2011.08.09		2011.08.09		DRAW NO. : A2502WR-XPNXXXXXXXXX	
GENERAL TOLERANCE					
A2	EN1510230001	2015.10.22	唐騰鳳	X.X±0.25	ANGLE±
A1	EN1107180285	2011.08.09	陳敏	X.XX±0.15	
REV.	DESCRIPTION	DATE	NAME	X.XXX±0.05	