

1|

2|

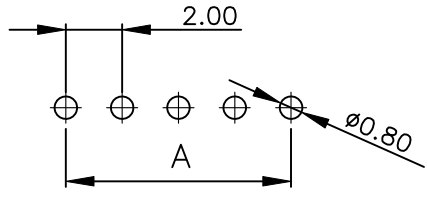
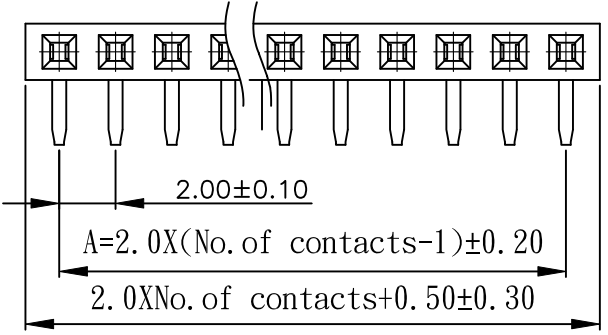
3|

4|

P/N LEGEND

A2015	HR-XP	R	6	B	G1	N	D0	B
①	②	③	④	⑤	⑥	⑦	⑧	⑨

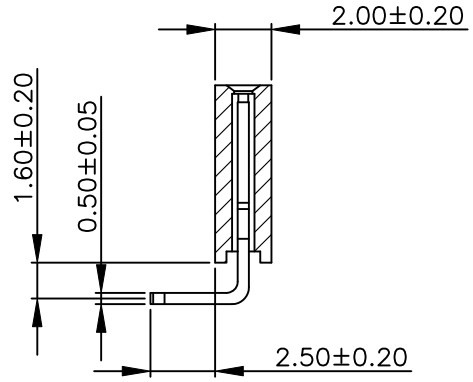
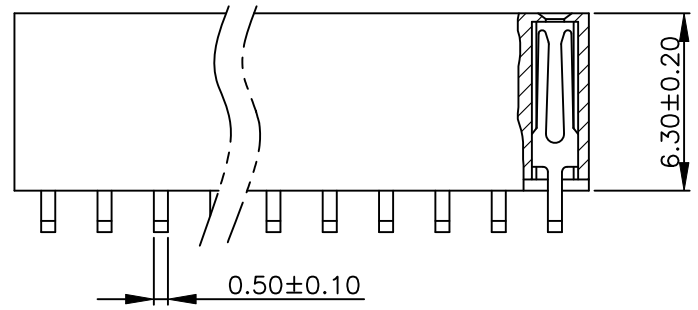
- ① Series No.
- ② Connector type: HR=Right Angle
- ③ No. of circuits
- ④ R=RoHS
- ⑤ Material: 6=Nylon 6T, UL94V-0
- ⑥ Color: B=Black
- ⑦ Plating code for contacts: G1=Gold-Flash
- ⑧ Plating code: N=Non-plating
- ⑨ Option code: D0=D0 Type
- ⑩ Packing code: B=Tray



Recommended P.C.B. hole layout

SPECIFICATIONS

Current Rating: 3A AC,DC
 Temperature Range: -25°C ~ +85°C
 Contact Resistance: 20mΩ Max.
 Insulation Resistance: 1000MΩ Min.
 Withstanding Voltage: 1000V AC/minute
 Pin Material: Brass



燦達電子工業股份有限公司
 JOINT TECH ELECTRONIC IND. CO., LTD.

UNIT	SCALE	SHEET	TITLE:
mm	1 : 1	1 of 2	
DRAWN BY	APPROVED BY	2.00mm PITCH 90° WAFER (Single Row)	
劉建芳	陳彥兆		
2015.03.26	2015.03.26	DRAW NO. : A2015HR-XPR6BG1ND0B	
GENERAL TOLERANCE			
X. X±0.30	ANGLE±	REV. A0	
X. XX±0.20	▽ ⊕		
X. XXX±0.10			
A0	NEW RELEASE	2015.03.26	劉建芳
REV.	DESCRIPTION	DATE	NAME

1|

2|

3|

4|

A

A

B

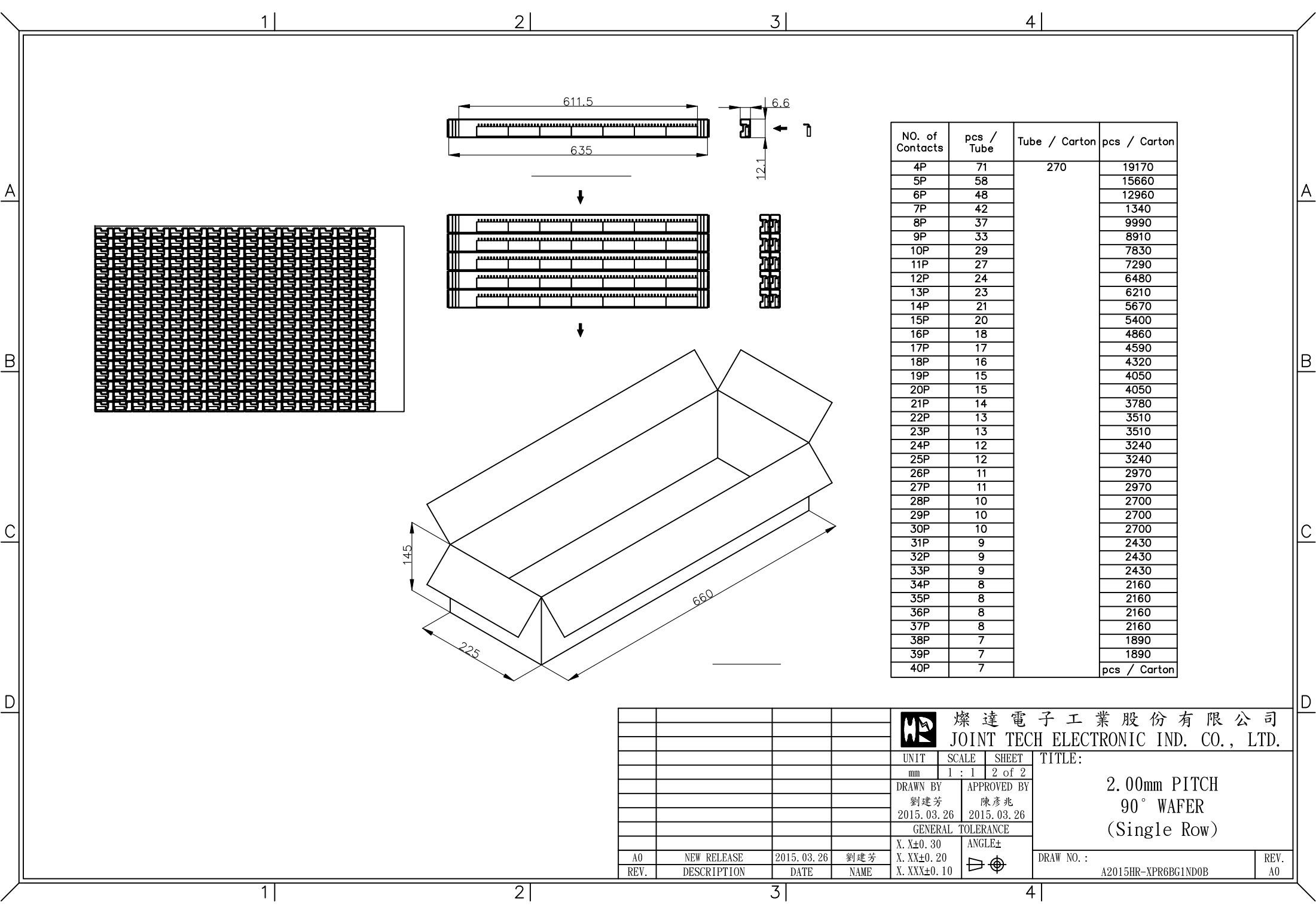
B

C


C

D

D



NO. of Contacts	pcs / Tube	Tube / Carton	pcs / Carton	
4P	71	270	19170	
5P	58		15660	
6P	48		12960	
7P	42		1340	
8P	37		9990	
9P	33		8910	
10P	29		7830	
11P	27		7290	
12P	24		6480	
13P	23		6210	
14P	21		5670	
15P	20		5400	
16P	18		4860	
17P	17		4590	
18P	16		4320	
19P	15		4050	
20P	15		4050	
21P	14		3780	
22P	13		3510	
23P	13		3510	
24P	12		3240	
25P	12		3240	
26P	11		2970	
27P	11		2970	
28P	10		2700	
29P	10		2700	
30P	10		2700	
31P	9		2430	
32P	9		2430	
33P	9		2430	
34P	8		2160	
35P	8		2160	
36P	8		2160	
37P	8		2160	
38P	7		1890	
39P	7		1890	
40P	7			
				pcs / Carton

				 燦達電子工業股份有限公司 JOINT TECH ELECTRONIC IND. CO., LTD.	
UNIT	SCALE	SHEET	TITLE:		
mm	1 : 1	2 of 2	2.00mm PITCH 90° WAFER (Single Row)		
DRAWN BY 劉建芳		APPROVED BY 陳彥兆			
2015.03.26		2015.03.26			
GENERAL TOLERANCE					
A0	NEW RELEASE	2015.03.26	劉建芳	DRAW NO. : A2015HR-XPR6BG1NDOB	
REV.	DESCRIPTION	DATE	NAME		