

P/N LEGEND

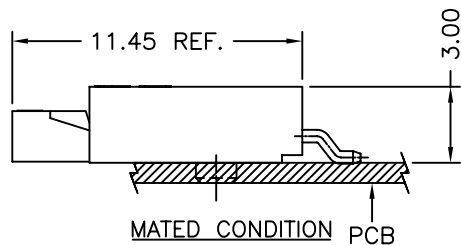
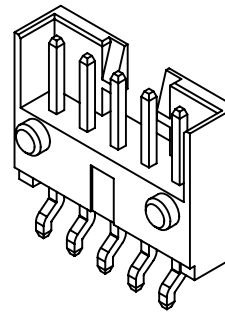
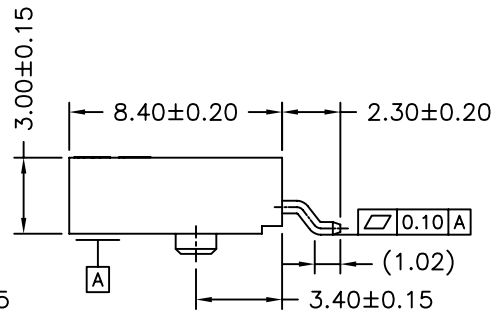
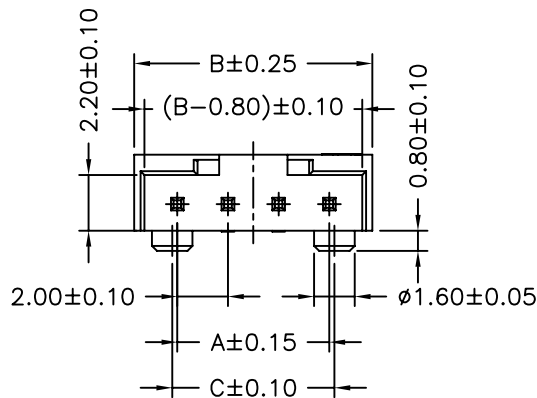
A2014	WRA-SF-XP	N	L	N	G1	N	S1	R
①	②	③	④	⑤	⑥	⑦	⑧	⑨

① Series No.
 ② Connector type: WRA=Right angle A Type
 ③ Mounting type: SF=SMT with boss
 ④ No. of circuits
 ⑤ N=Halogen Free
 ⑥ Material: L=LCP
 ⑦ Color: N=Natural(Beige)
 ⑧ Plating code for contacts: G1=Gold-flash
 ⑨ Plating code: N=Non-plating
 ⑩ Option code: S1=For Wistron Tape & Reel
 ⑪ Packing code: R=Tape & Reel(Without Mylar)

SPECIFICATIONS

Current Rating: 3A AC,DC
 Voltage Rating: 250V AC,DC
 Temperature Range: -25°C ~ +85°C
 Contact Resistance: 30mΩ Max.
 Insulation Resistance: 1000MΩ Min.
 Withstanding Voltage: 500V AC/minute
 Pin Material: Brass/Gold-flash
 Material: LCP,UL94V-0
 Color: Natural(Beige)

Circuit No.	Dimensions		
	A	B	C
04P	6.00	9.40	6.40
05P	8.00	11.40	8.40
06P	10.00	13.40	10.40
07P	12.00	15.40	12.40
08P	14.00	17.40	14.40
10P	18.00	21.40	18.40

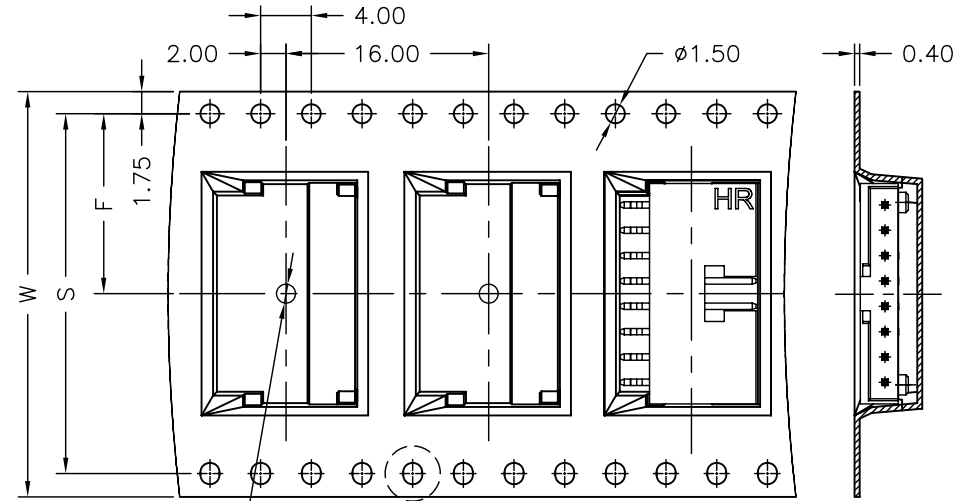
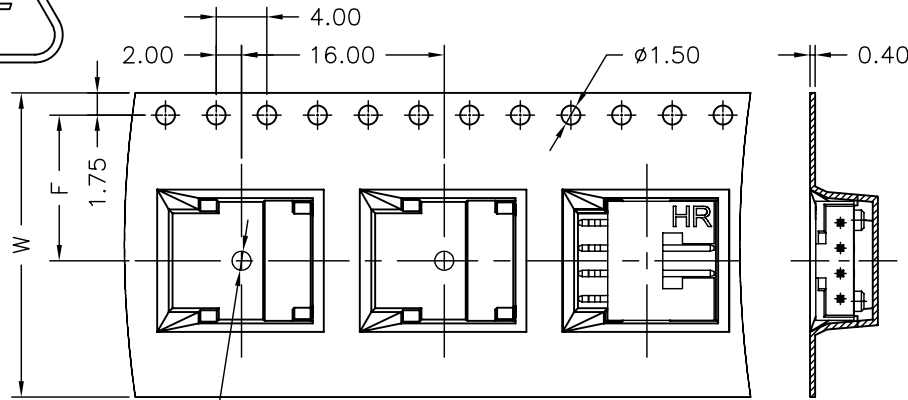


				燦達電子工業股份有限公司 JOINT TECH ELECTRONIC IND. CO., LTD.	
UNIT		SCALE	SHEET		TITLE:
mm		1 : 1	1 of 2		
DRAWN BY		APPROVED BY		2.00mm PITCH 90° WAFER-SMT TYPE DRAW NO. : A2014WRA-SF-XPXXXXXS1X REV. A3	
陳錦展		董正一			
2011.05.26		2011.05.26			
GENERAL TOLERANCE					
A3	EN1306280218	2013.06.28	郭本思	X. X±0.25	ANGLE±
A2	EN1304190123	2013.04.19	郭本思	X. XX±0.15	
A1	EN1301280036	2013.01.28	周傑亮	X. XXX±0.05	
A0	NEW RELEASE	2011.05.26	陳錦展		
REV.	DESCRIPTION	DATE	NAME		



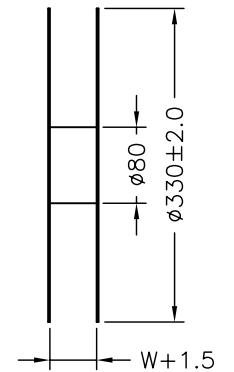
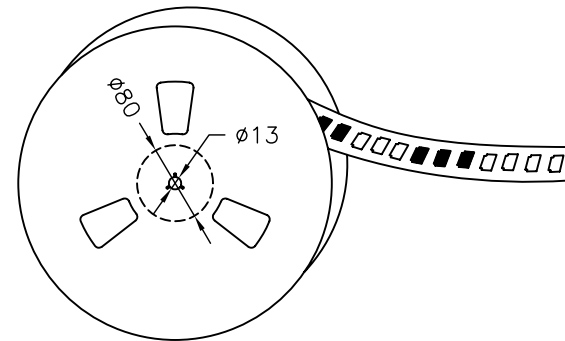
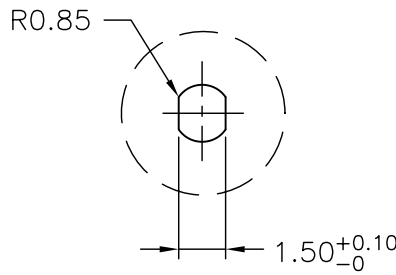
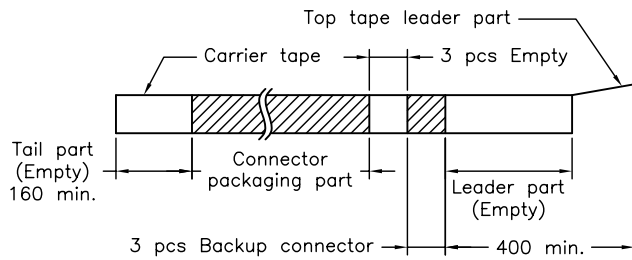
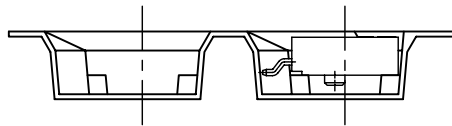
04~07 Contacts

08 Contacts



Unreeling direction →

Unreeling direction →



Number of Contacts	W±0.3	F±0.1	S±0.1	Q'ty/Reel
04P	24	11.50	/	800
05P	24	11.50		800
06P	24	11.50		800
07P	24	11.50		800
08P	32	14.20		28.40
10P	44	20.20	40.40	800

NOTE:

Material: Transparent
Anti-static Polystyrene.



燦達電子工業股份有限公司
JOINT TECH ELECTRONIC IND. CO., LTD.

UNIT	SCALE	SHEET
mm	1 : 1	2 of 2
DRAWN BY 陳錦展		APPROVED BY 董正一
A3 ENI306280218 2013.06.28 郭木思		2011.05.27 2011.05.27
A2 ENI304190123 2013.04.19 郭木思		GENERAL TOLERANCE
A1 ENI301280036 2013.01.28 周傑亮	X.X±0.25	ANGLE±
A0 NEW RELEASE 2011.05.27 陳錦展	X.XX±0.15	
REV. DESCRIPTION	X.XXX±0.05	

TITLE:	
2.00mm PITCH 90° WAFER-SMT TYPE, TAPING SPEC.	
DRAW NO. : A2014WRA-SF-XPNXXXXX1X	REV. A3