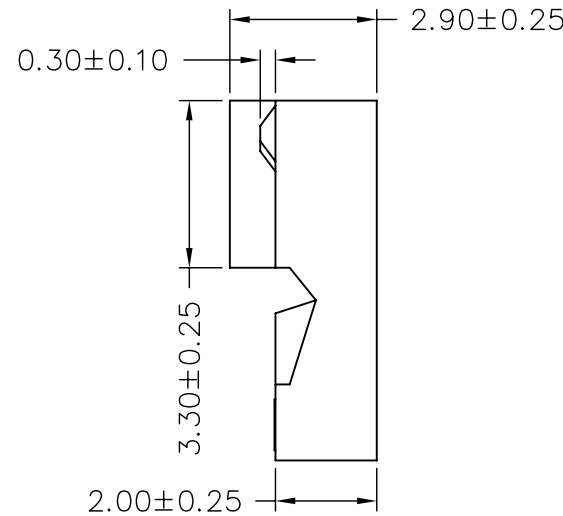
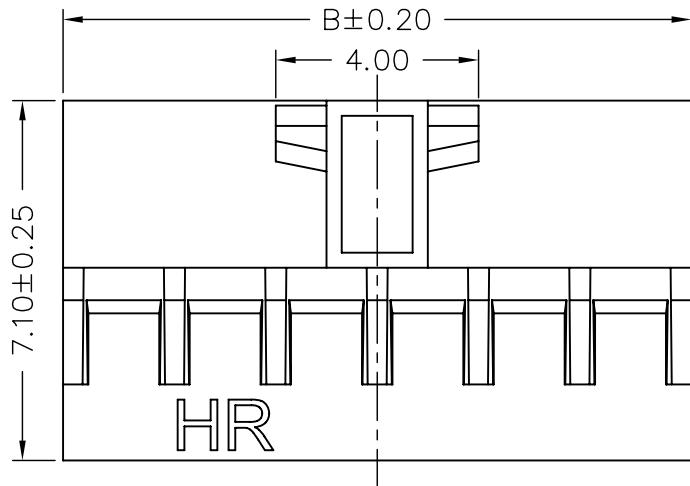


P/N LEGEND

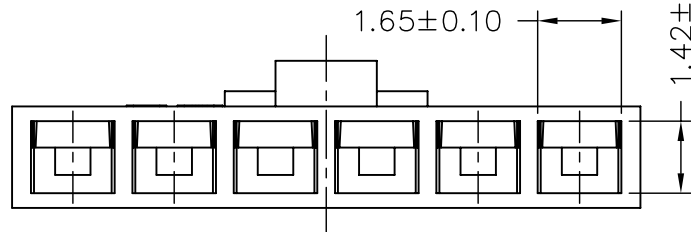
A2014 H-XP N 0 X NP N 00 G									
①	②	③	④	⑤	⑥	⑦	⑧	⑨	⑩
① Series No.	② Connector type: H=Housing	③ No. of circuits	④ N=Halogen Free	⑤ Material: 0=Nylon 66-V0	⑥ Color: W=White; B=Black	⑦ Plating code: NP=Non-plating	⑧ Plating code: N=Non-plating	⑨ Option code: 00=Normal type	⑩ Packing code: G=Bag

SPECIFICATIONS

Current Rating: 3A AC,DC
 Voltage Rating: 250V AC,DC
 Temperature Range: -25°C ~ +85°C
 Contact Resistance: 30mΩ Max.
 Insulation Resistance: 1000MΩ Min.
 Withstanding Voltage: 500V AC/minute
 Material: Nylon 66,UL94V-0
 Color: Natural(White&Black)



Circuit No.	Dimensions	
	A	B
04P	6.00	8.40
05P	8.00	10.40
06P	10.00	12.40
07P	12.00	14.40
10P	18.00	20.40



				燦達電子工業股份有限公司 JOINT TECH ELECTRONIC IND. CO., LTD.	
UNIT		SCALE	SHEET		TITLE:
mm		1 : 1	1 of 1		2.00mm PITCH SINGLE ROW HOUSING
DRAWN BY		APPROVED BY		DRAW NO. : A2014H-XPNXXXXXXXXX	
A5 EN1408050002 2014.07.18 黃培軍		歐陽小強 謝瑞清			
A4 EN1308070272 2013.07.22 周傑亮		2009.01.08 2009.01.08		REV. A5	
A3 EN1110260472 2011.10.26 陳敏		GENERAL TOLERANCE			
A2 EN1109080403 2011.09.08 陳敏		ANGLE±			
A1 EN1103030044 2011.02.21 童冠銘		X.X±0.25			
REV. DESCRIPTION		DATE		NAME	
		X.XX±0.15			
		X.XXX±0.05			