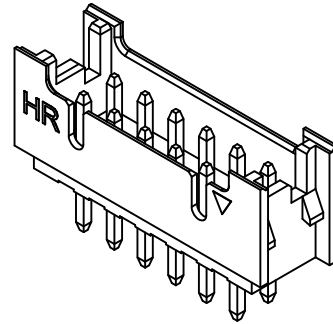
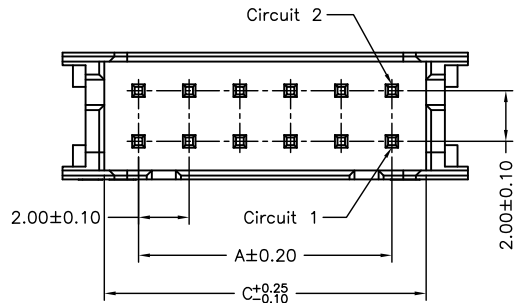




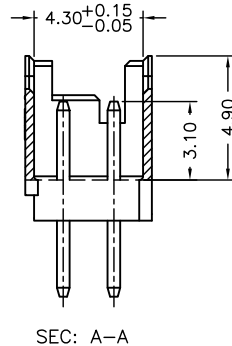
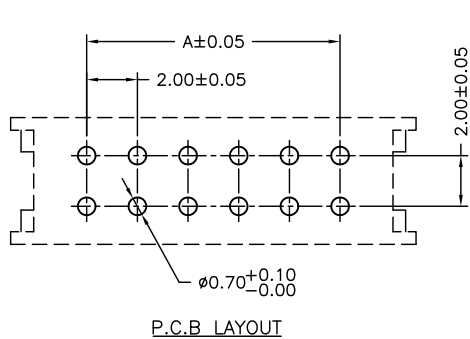
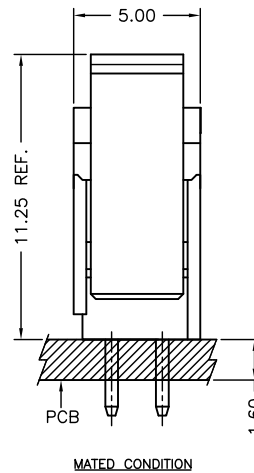
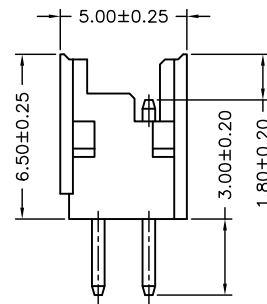
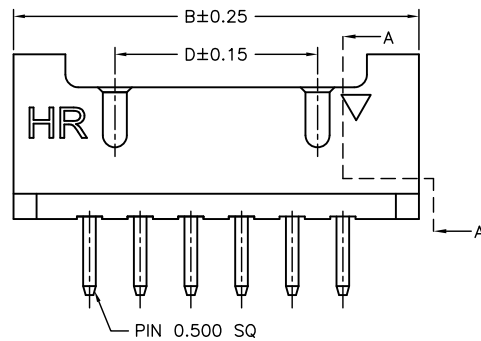
P/N LEGEND

- A2004 WVA-2XNP N X X XX N XX G
 ① Series No.
 ② Connector type: WVA=Vertical A type
 ③ No. of circuits
 ④ N=Halogen Free
 ⑤ Material: 0=Nylon 66,94-V0; 6=Nylon 6T,94-V0
 ⑥ Color: W=Natural(White); B=Natural(Black)
 ⑦ Plating code for contacts:
 T1=Tin-plated/Matte Tin-plated; G1=Gold-flash
 ⑧ Plating code: N=Non-plating
 ⑨ Option code: O0=Tin-plated; O2=Matte Tin-plated
 ⑩ Packing code: G=Bag

SPECIFICATIONS
 Current Rating: 3A AC,DC
 Voltage Rating: 250V AC,DC
 Temperature Range: -25°C ~ +85°C
 Contact Resistance: 10mΩ Max.
 Insulation Resistance: 1000MΩ Min.
 Withstanding Voltage: 800V AC/minute
 Pin Material: Brass



Circuit No.	Dimensions			
	A	B	C	D
2X02P	2.00	8.00	4.70	---
2X03P	4.00	10.00	6.70	2.00
2X04P	6.00	12.00	8.70	4.00
2X05P	8.00	14.00	10.70	6.00
2X06P	10.00	16.00	12.70	8.00
2X07P	12.00	18.00	14.70	10.00
2X08P	14.00	20.00	16.70	12.00
2X09P	16.00	22.00	18.70	14.00
2X10P	18.00	24.00	20.70	16.00
2X11P	20.00	26.00	22.70	18.00
2X12P	22.00	28.00	24.70	20.00
2X13P	24.00	30.00	26.70	22.00
2X14P	26.00	32.00	28.70	24.00
2X15P	28.00	34.00	30.70	26.00
2X16P	30.00	36.00	32.70	28.00
2X17P	32.00	38.00	34.70	30.00
2X18P	34.00	40.00	36.70	32.00
2X19P	36.00	42.00	38.70	34.00
2X20P	38.00	44.00	40.70	36.00
2X22P	42.00	48.00	44.70	40.00



				燦達電子工業股份有限公司 JOINT TECH ELECTRONIC IND. CO., LTD.	
		UNIT	SCALE	SHEET	TITLE:
		mm	1 : 1	1 of 1	
		DRAWN BY	APPROVED BY		
		陳錦展	董正一		
		2012.05.17	2012.05.17		
		GENERAL TOLERANCE			
A2	PAR13112201	2013.12.17	唐騰鳳		
A1	EN1209250327	2012.09.25	陳錦展	X. X±0.25	ANGLE±
A0	NEW RELEASE	2012.05.17	陳錦展	X. XX±0.15	
REV.	DESCRIPTION	DATE	NAME	X. XXX±0.05	

2.00mm PITCH
 180° WAFER-LOCK TYPE

DRAW NO.: A2004WVA-2XNPXXXXXXX REV. A2