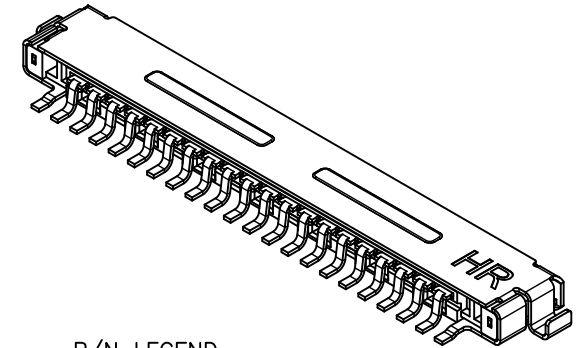


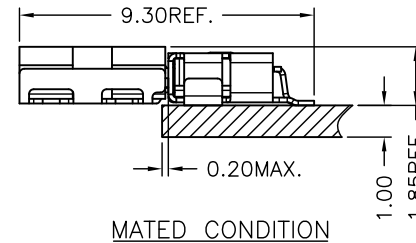
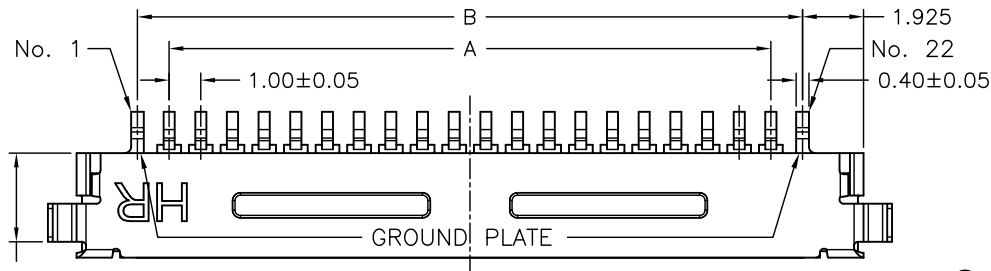
P.C.B LAYOUT



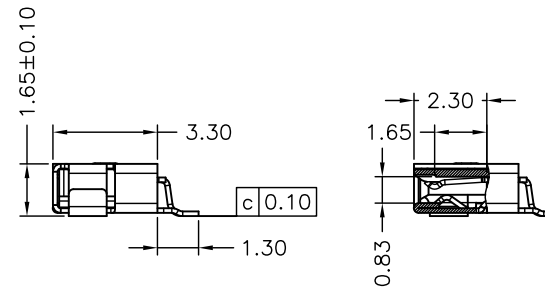
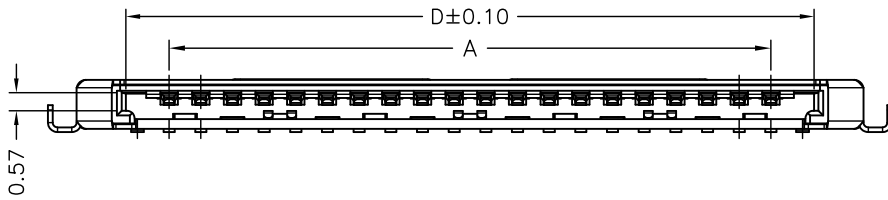
P/N LEGEND

A1006	WR-S-	XP	N	L	N	G2	T	00	R
①	②	③	④	⑤	⑥	⑦	⑧	⑨	⑩

① Series No.
 ② Connector type: WR=Vertical
 ③ Mounting type: S=SMT Type
 ④ No. of circuits
 ⑤ N=Halogen Free
 ⑥ Material: 6=Nylon 6T
 ⑦ Color: B=Black
 ⑧ Plating code for contacts: G2=Gold-plated
 ⑨ Plating code for solder tabs:T=Matte Tin-plated
 ⑩ Option code: 00=Standard
 ⑪ Packing code: R=Tape & Reel



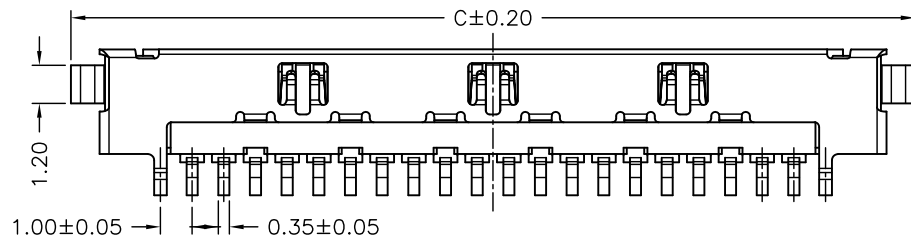
MATED CONDITION



SPECIFICATIONS

Current Rating: 1A AC,DC
 Voltage Rating: 200V AC,DC
 Temperature Range: -25°C ~ +85°C
 Contact Resistance: 40mΩ Max.
 Insulation Resistance: 100MΩ Min.
 Withstanding Voltage: 500V AC/minute
 Pin Material: Phosphor Bronze/Gold-plated
 Material: LCP,UL94V-0
 Shell: Phosphor Bronze/Tin-plated
 Color: Natural(Beige)

Circuit No.	Dimensions			
	A	B	C	D
20P	19.00	21.00	26.65	22.00
30P	29.00	31.00	36.65	32.00

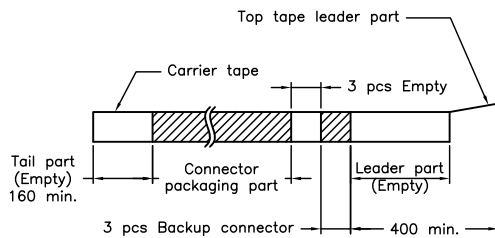
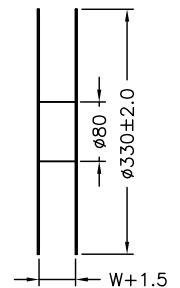
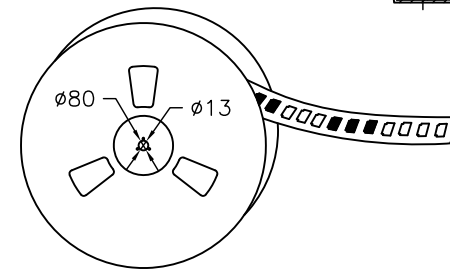
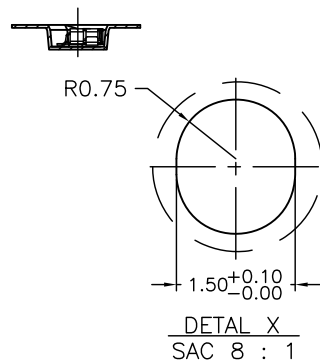
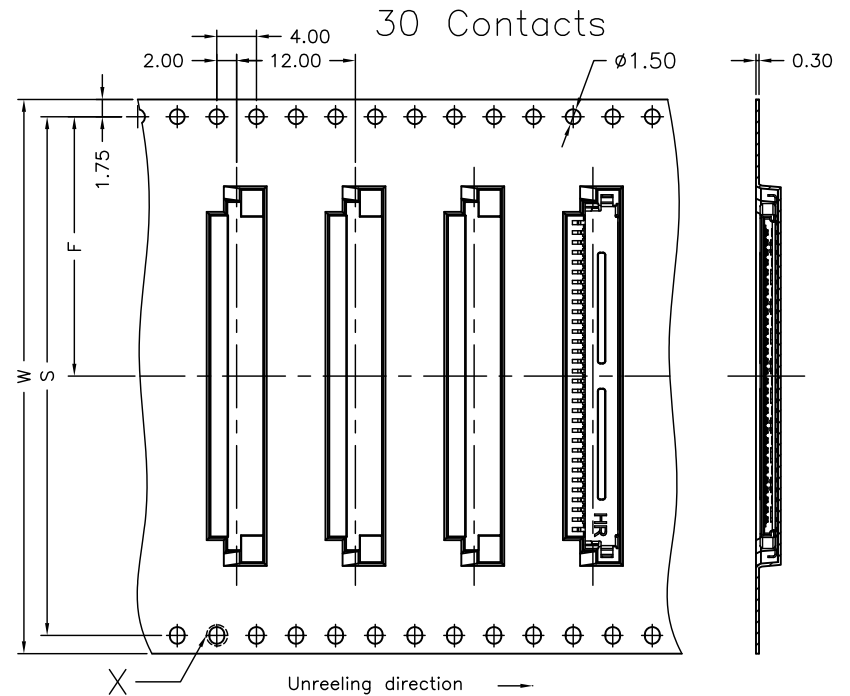
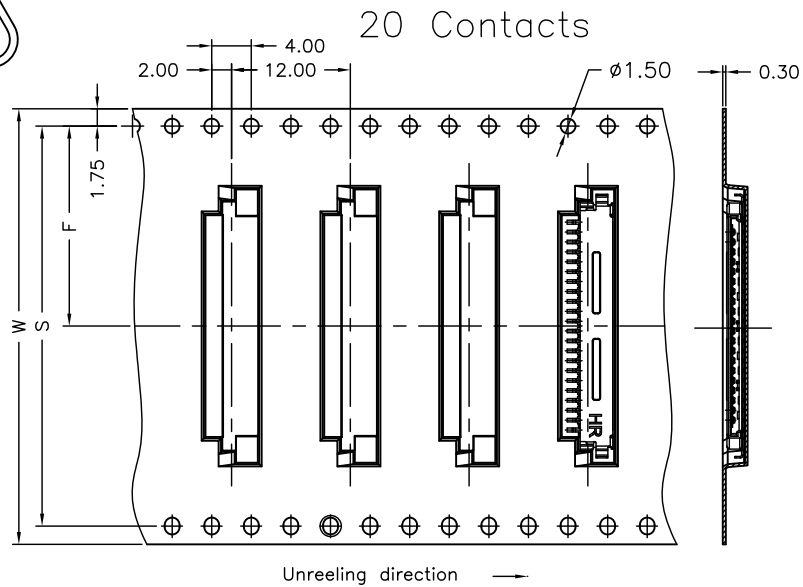


燦達電子工業股份有限公司
 JOINT TECH ELECTRONIC IND. CO., LTD.

UNIT	SCALE	SHEET
mm	1 : 1	1 of 2
DRAWN BY	APPROVED BY	
童冠銘	董正一	
2011.02.15	2011.02.15	
GENERAL TOLERANCE		
X. X±0.25	ANGLE±	
X. XX±0.15	▽	
X. XXX±0.05	⊕	

TITLE:	
1.00mm PITCH 90° WAFER-SMT TYPE	
DRAW NO.:	REV.
A1006WR-S-XPXXXXXXX	A0

AO	NEW RELEASE	2011.02.15	童冠銘
REV.	DESCRIPTION	DATE	NAME



Number of Contacts	W±0.3	F±0.1	S±0.1	Q'ty/Reel
20P	44	20.20	40.40	2,000
30P	56	26.20	52.40	2,000

				燦達電子工業股份有限公司 JOINT TECH ELECTRONIC IND. CO., LTD.	
UNIT	SCALE	SHEET	TITLE:		
mm	1 : 1	2 of 2	1.00mm PITCH 90° WAFER-SMT TYPE, TAPING SPEC.		
DRAWN BY		APPROVED BY			
歐陽小強		董正一			
2006.12.11		2006.12.11	DRAW NO. : A1006WR-S-XPXXXXXXX		
GENERAL TOLERANCE					
X. X±0.25		ANGLE±		REV. A0	
X. XX±0.15					
X. XXX±0.05					
A0	NEW RELEASE	2011.02.17	童冠銘		
REV.	DESCRIPTION	DATE	NAME		